

Arizona Pool Covers LLC
6100 W. Gila Springs Pl. #3
Chandler, AZ 85226
480-829-0083 ~ 520-408-1579
ROC# 237910 ROC# 278066

STAINLESS STEEL TRACK SET PREPARATIONS

Schedule sequence of events

#1 Gunite

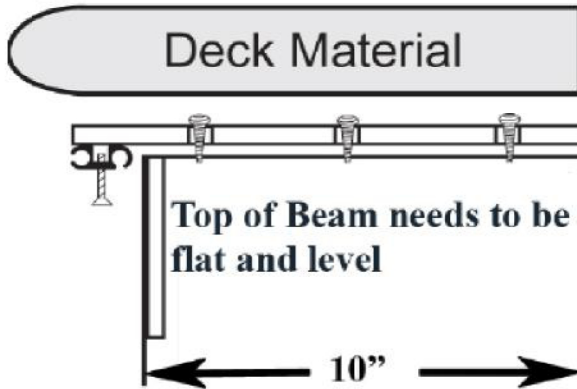
#2 Tile: Float top of beam flat and level with top of tile edge

Call or email our office ASAP when you have a tile schedule date

480-829-0083 or schedule@azpoolcovers.com

#3 Stainless Steel straps and track set

#4 Deck



Deck Straps

- For porous coping, brick, flagstone, and materials less than 2" thick
- Mounted every 2' of track
- For deck-on-deck pools



Tracks are protected with plastic wrapper. Stainless Steel straps secured to top of beam that has been floated level to top of tile elevation back 10" from waters edge