

DUAL RACE TRACK CHANNEL TRACK SET PREPARATIONS Schedule sequence of events
FOR THE T4 STAINLESS STEEL CABLE SYSTEM

#1 Gunite

#2 Water Line Tile installed

Float top of beam or track channel notch (depending upon application) flat and level with top of tile ledge (4 inches back from waters edge)

Call or email our office ASAP when you have a tile schedule date 480-829-0083 or schedule@azpoolcovers.com

#3 Track channel installed

#4 Coping material installed

NOTCHED TOP OF BEAM

WATER LINE TILE INSTALLED / FLOATED FLAT AND LEVEL



Track channel dimensions

3 ¼" wide x 1 ¼" tall

Notch with tile face to be Wider than 3 ¼"

Floated flat and level from tile face

TOP OF BEAM FLOATED FLAT AND LEVEL



Track channel dimensions

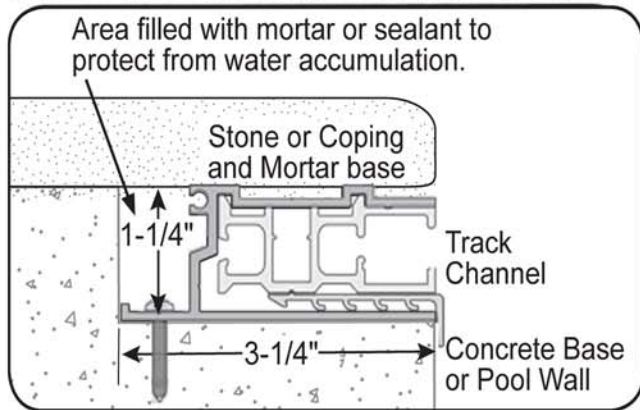
3 ¼" wide x 1 ¼" tall

Waterline tile installed

Floated flat & level 4" minimum back from tile

TRACK CHANNEL APPLICATIONS FOR THE T4 STAINLESS STEEL CABLE SYSTEM

TRACK CHANNEL WITH NOTCHED BEAM

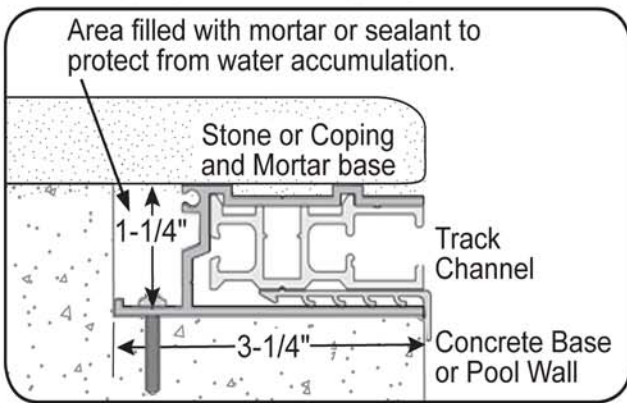


NOTCH BEAM CHANNEL APPLICATION

Tiled floated flat & level ready for channel



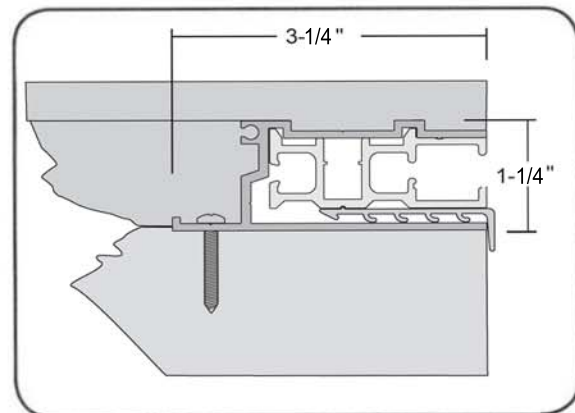
TRACK CHANNEL TOP OF BEAM



TRACK CHANNEL ON TOP OF BEAM FILLED BEHIND TRACK CHANNEL



TRACK CHANNEL IN POURED DECK



TRACK CHANNEL NOTCHED INTO VERTICAL WALL

