



Underside™ Track

General Information

for installing an automatic pool cover

This is a general guide on factors to consider for the installation of an automatic pool cover.

Detailed installation instructions are available.

Detailed specifications for V-Lid, and T4-Spa (for 10 x 20 or less) are available, contact our office.

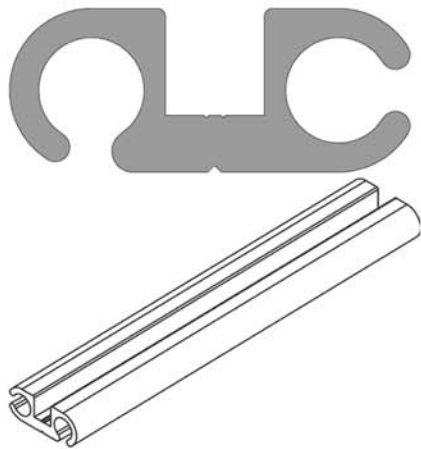
Arizona Pool Covers LLC

6100 W. Gila Springs Pl. #3 Chandler, AZ 85226

Central Arizona Phone (480) 829-0083 • Fax (480) 829-1101

Southern Arizona Phone (520) 408-1579

TRACK OPTIONS

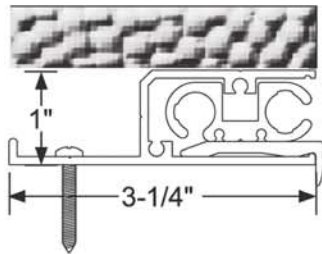


Underside™ Track

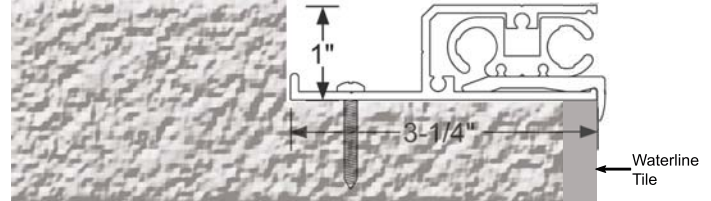
- Mounted under deck coping
- Anodized aluminum
- Easier installation and replacement of rope

Track Channel

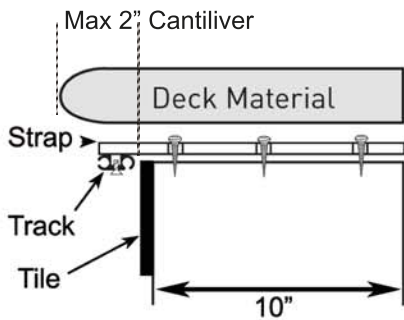
- For concrete and fiberglass pools
- Raised-wall applications
- Track channel allows for custom cantilever profiles
- Foam or wood forms can be incorporated for deck profiles



Notched Beam (1 1/4" X 3 1/2")

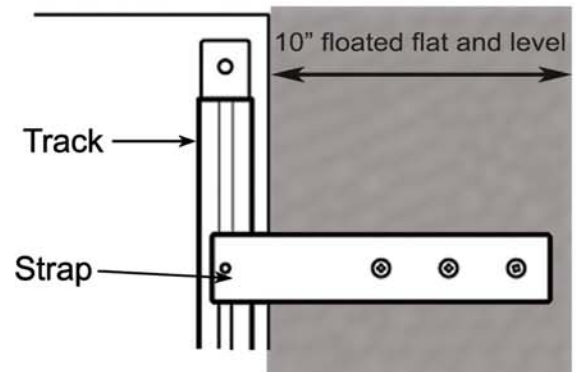


WATERLINE TILE MUST BE SET BEFORE TRACK IS INSTALLED. FOR DECK STRAPS AND CHANNEL - TOP OF BEAM MUST BE FLAT AND LEVEL



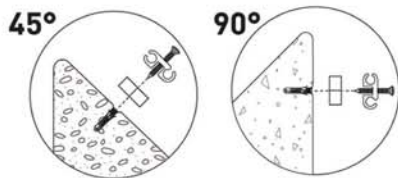
Deck Straps

- For porous coping, brick, flagstone, and materials less than 2" thick
- Mounted every 2' of track
- Top of beam must be flat and level. Floated out to at least 10" from edge of pool



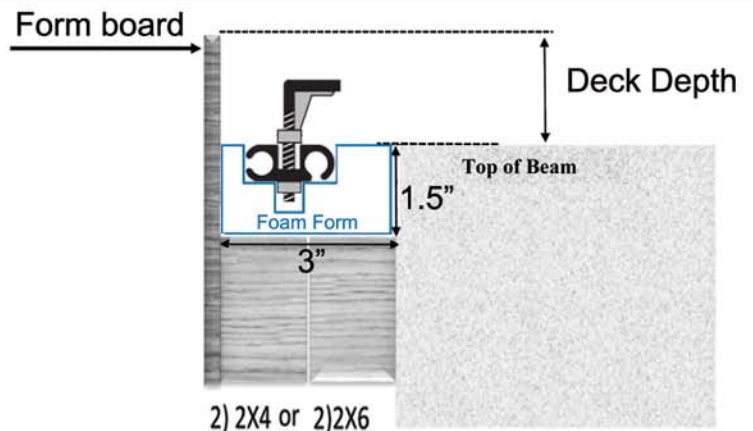
Vanishing-Edge Pools

Create a 45° or 90° vanishing edge



Perimeter Overflow

Create a pool for which water height appears even with the deck. A narrow channel collects the overflow water and allows for the glider arms.

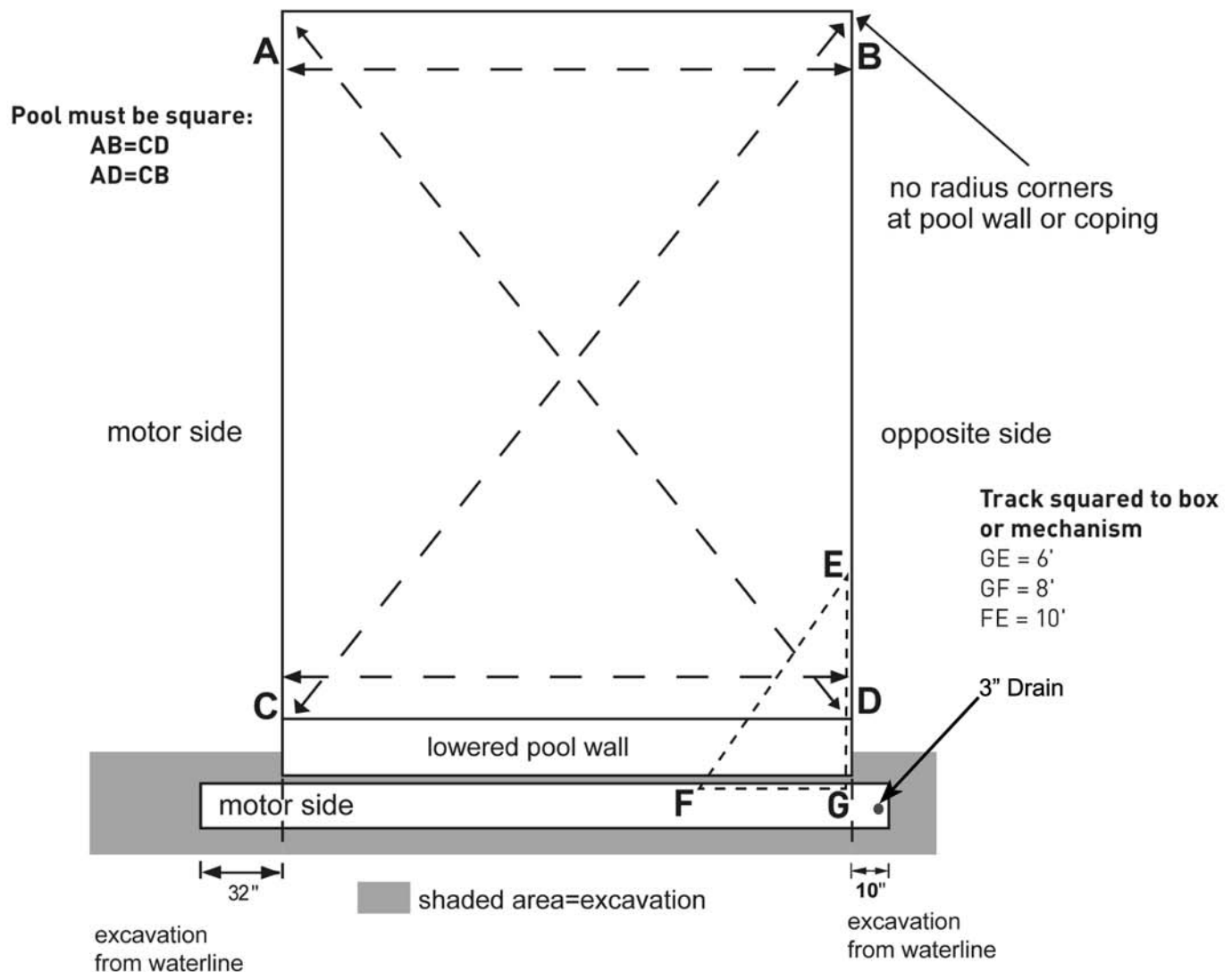


EXCAVATION AND PLUMBING

Consider any special requirements for excavation and plumbing.

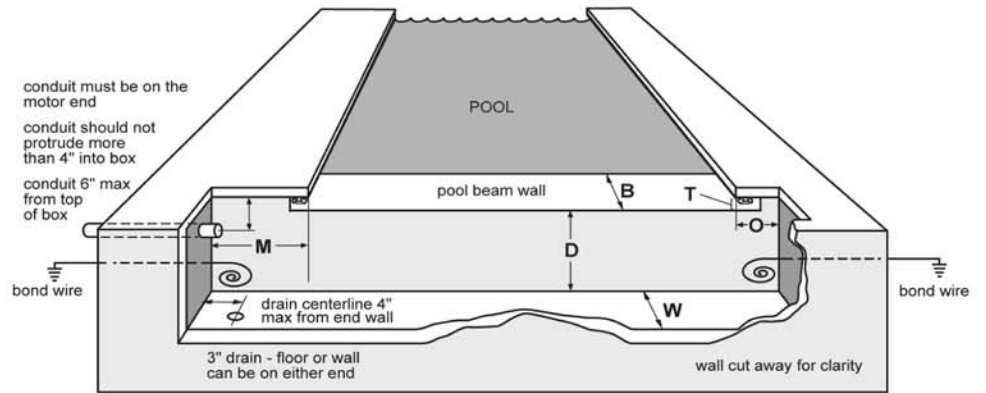
Recessed Mechanism—Underside™ Track or Track Channel

1. The tracks (and rectangular pools) must be a true rectangle. The tracks must be perpendicular to the unit mechanism and recessed housing (90°).
2. Do not install plumbing within 14" of the deck in the housing area.
3. The motor can be on either end of the cover box.
4. Do not locate skimmers in the lowered pool wall.
5. All corners must be square (no radius) on the finished tile line or the coping.
6. Place 3" drain in floor at one end of recessed housing, and slope bottom of housing to the drain.



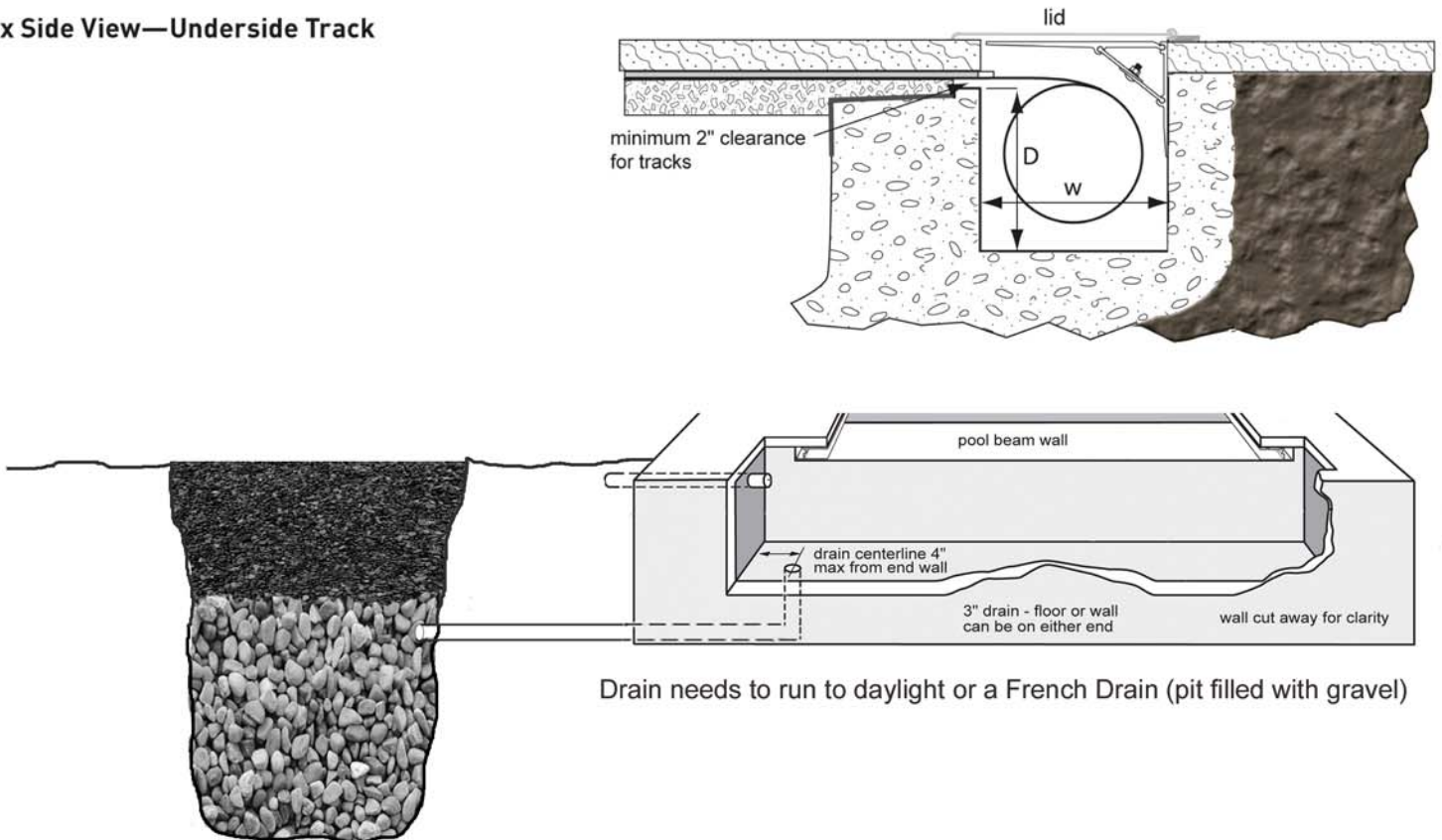
MECHANISM HOUSING

Recessed Concrete—Underside™ Track



Underside Track Box Dimensions	MOTOR M	OPPOSITE O	BEAM B	THROAT T	DEPTH D	WIDTH W
Pools up to 65 ft long	32"	10"	8-12"	2" min to finished beam	14½"	14½"
Pools over 65 ft. long or 25 ft. wide and vanishing-edge pools—Call Arizona Pool Covers 480-829-0083						

Box Side View—Underside Track

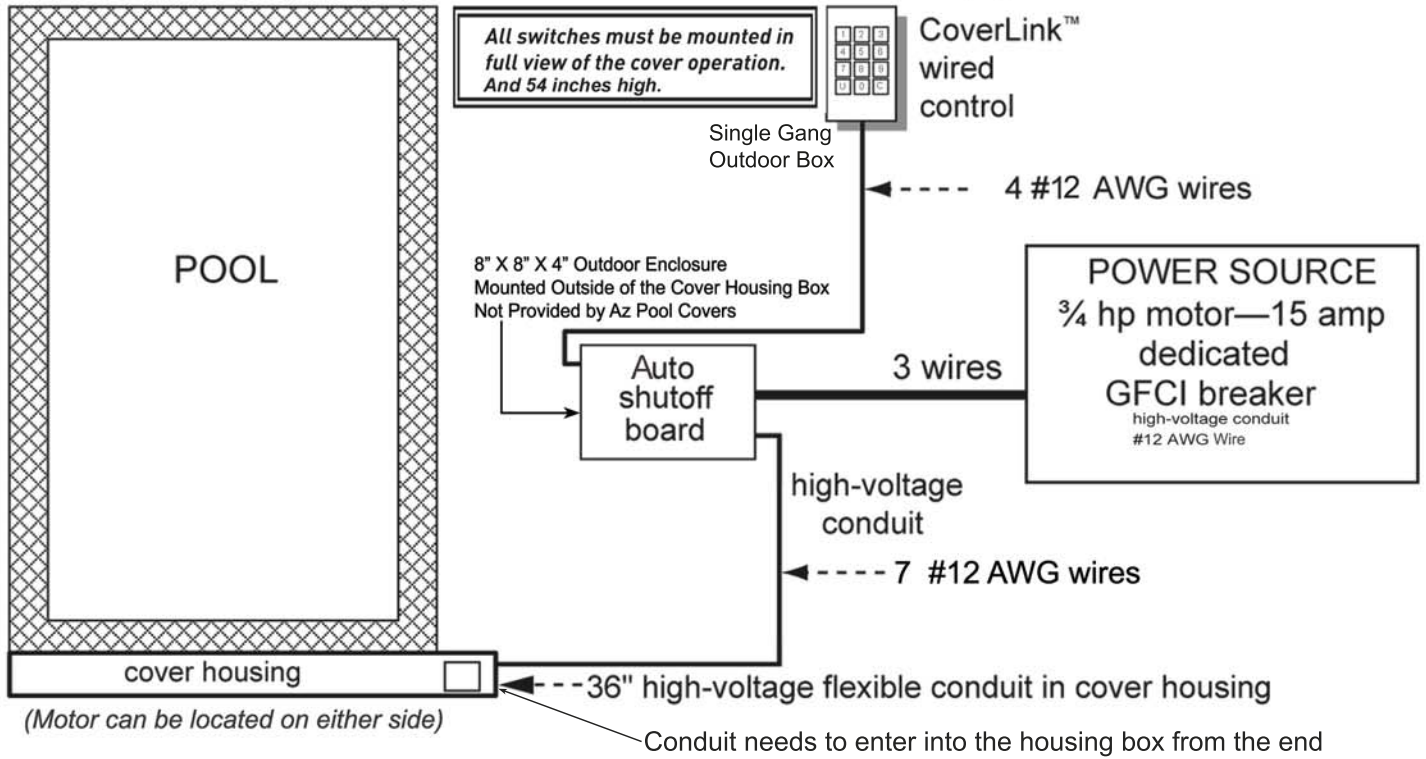


Drain needs to run to daylight or a French Drain (pit filled with gravel)

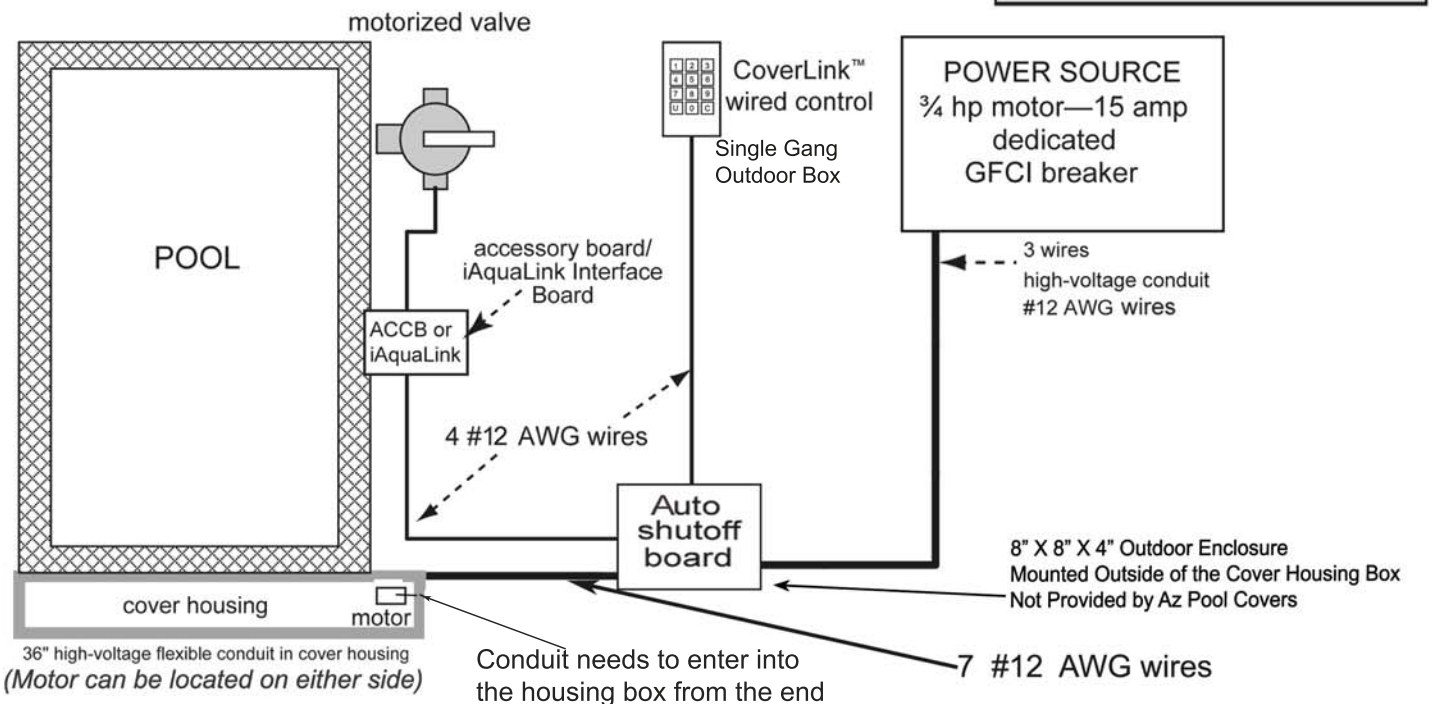
ELECTRICAL

WARNING! These are minimum recommendations only. All local and federal codes of standard safe practices must be followed. Refer to the prewiring instructions for detailed instructions and additional mounting options.

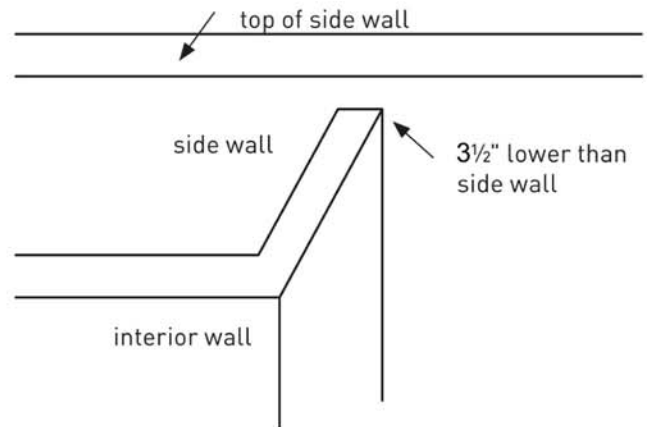
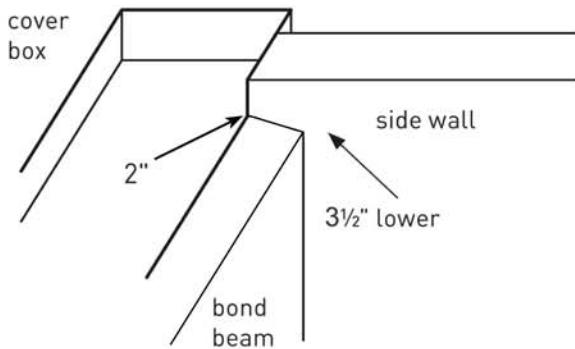
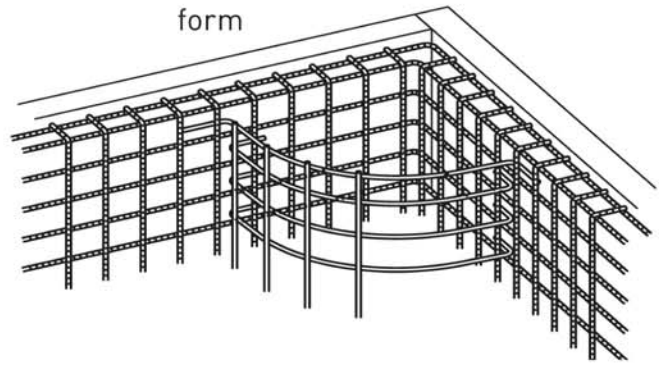
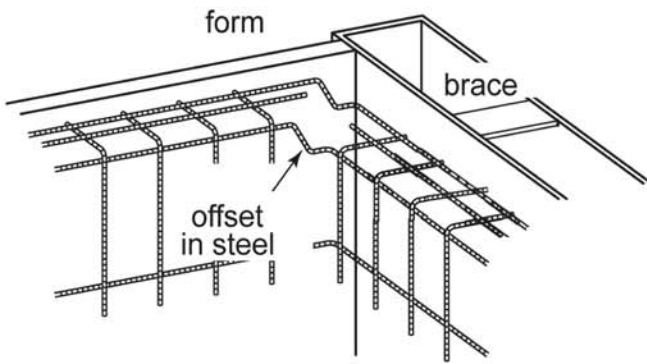
Auto-Shutoff with Amp Limiter (Standard Equipment)



Auto-Shutoff with Amp Limiter and Accessory Board (Optional)



Gunite Layout—Underside™ track

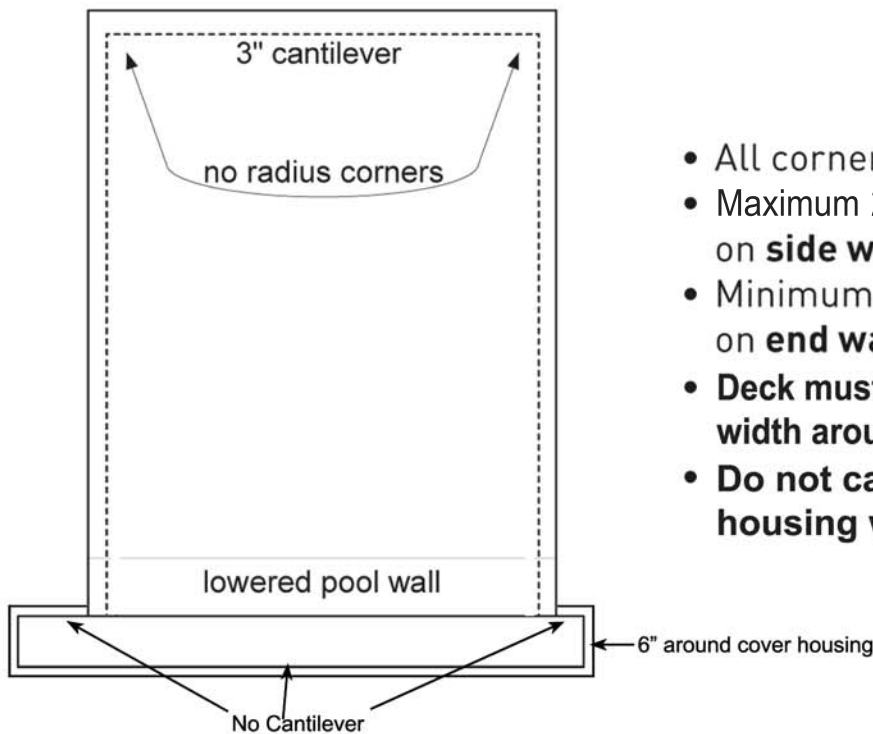


At the recessed box end, the pool wall (bond beam) must be shot 2" (1 1/2" finished with tile) lower than the side walls. And 3 1/2" on pool side.

The top inside pool corners (above the waterline) must be square, not radius.

Any interior wall, such as for spas, also must be gunited 3 1/2" (3" finished with tile) lower than the side walls.

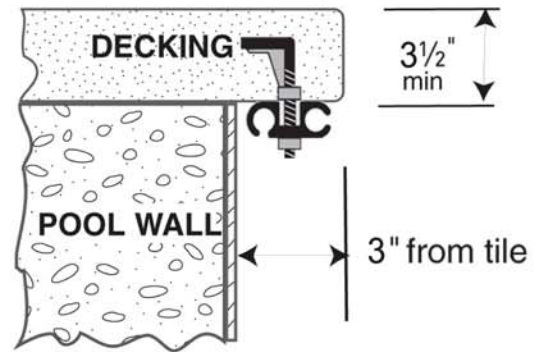
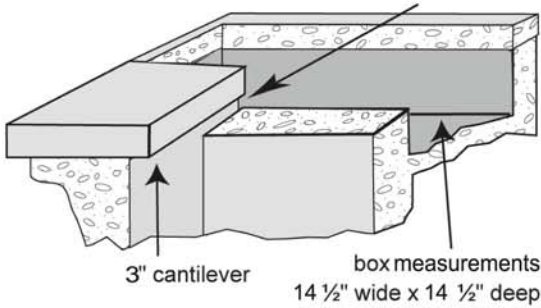
Coping or Deck Requirements—Underside track



- All corners of the coping must be square
- Maximum **2" cantilever** from tile on **side walls**
- Minimum **3" cantilever** from tile on **end wall** opposite the mechanism
- **Deck must be flat, without slope, for a 6" width around the cover housing.**
- **Do not cantilever over pool cover housing walls.**

Coping or Deck Requirements—Underside track (cont.)

Opening for the track must be 2" at box (1½" finished with tile), sloping to 3½" inside pool (3" finished with tile)

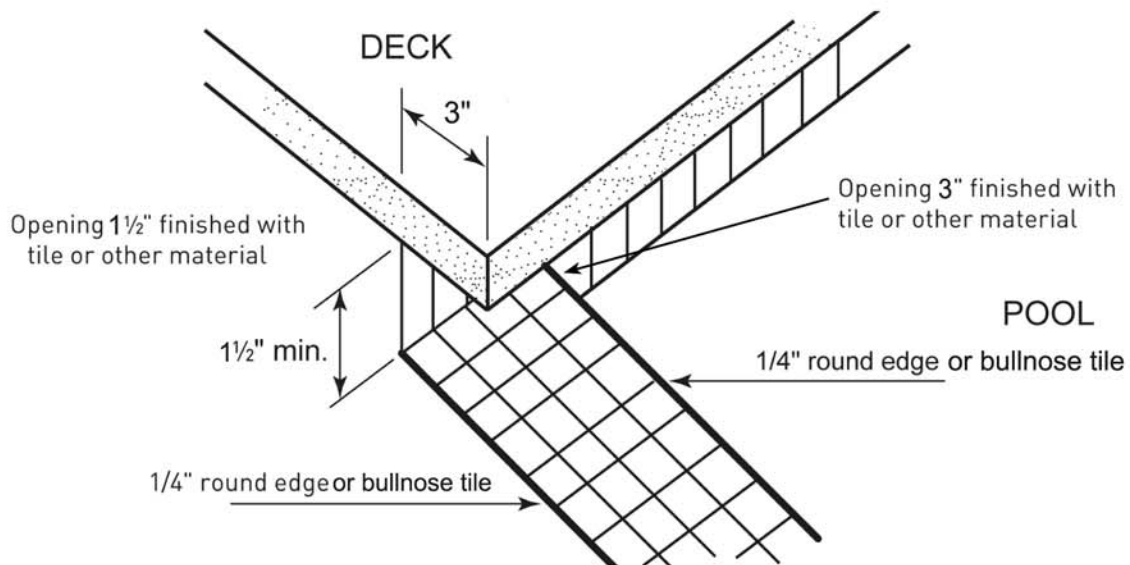


For track channel or stainless steel straps measurements see Track Options.

Tile Beam—Underside track

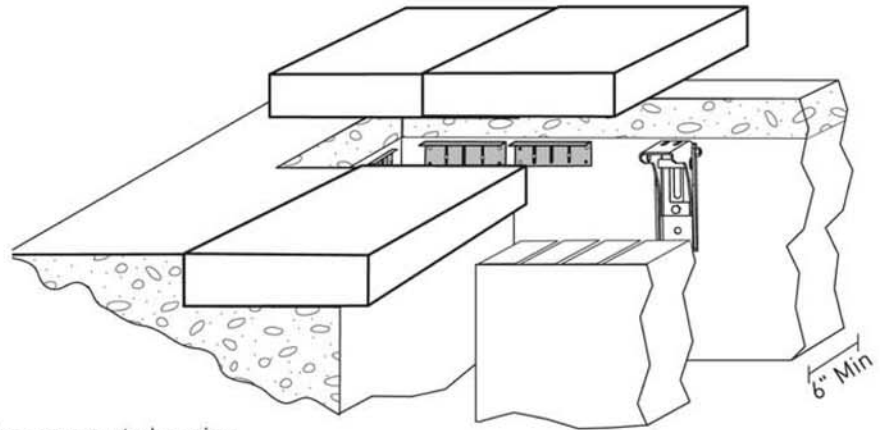
The lowered pool wall is finished with a tile surface.

For the lowered wall edge, use a rounded tile on the front and back edges to minimize scraping on the cover.



VANISHING LID™ SYSTEM

Vanishing Lid™ System



NOTE:

Walk-on Vanishing Lid systems require a concrete housing, or, if using a wood housing, a concrete wall must be poured behind the box for anchoring brackets.

Walk-On Vanishing Lid

This design offers an adjustable tray support system for any type of deck material. Stainless-steel or aluminum trays and stainless-steel brackets provide the support base for a strong walk-on lid that can blend with the surrounding deck.

Note: The deck thickness must be increased for extended trays if the leading edge is going to fit under the tray. Contact Arizona Pool Covers for more information 480-829-0083

The maximum width of any tray is 24".
The maximum length of tray is 24".

