



# **Universal / SnapTop™ Track**

## **General Information**

### **for installing an automatic pool cover**

**This is a general guide on factors to consider for the installation of an automatic pool cover.**

**Detailed installation instructions are available.**

**Detailed specifications for V-Lid, and T4-Spa (for 10 x 20 or less) are available, contact our office.**

#### **Arizona Pool Covers LLC**

**6100 W. Gila Springs Pl. #3 Chandler, AZ 85226**

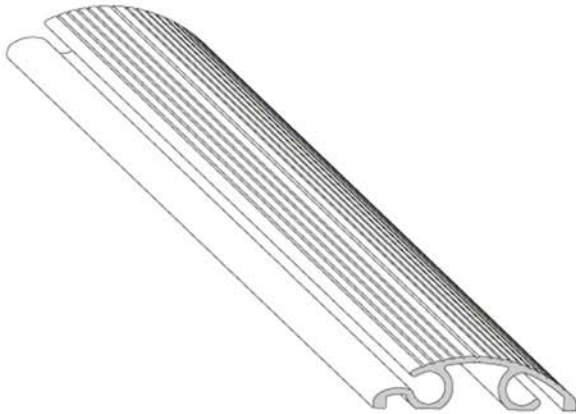
**Central Arizona Phone (480) 829-0083 • Fax (480) 829-1101**

**Southern Arizona Phone (520) 408-1579**

# TRACK OPTIONS: *Top Of Deck*

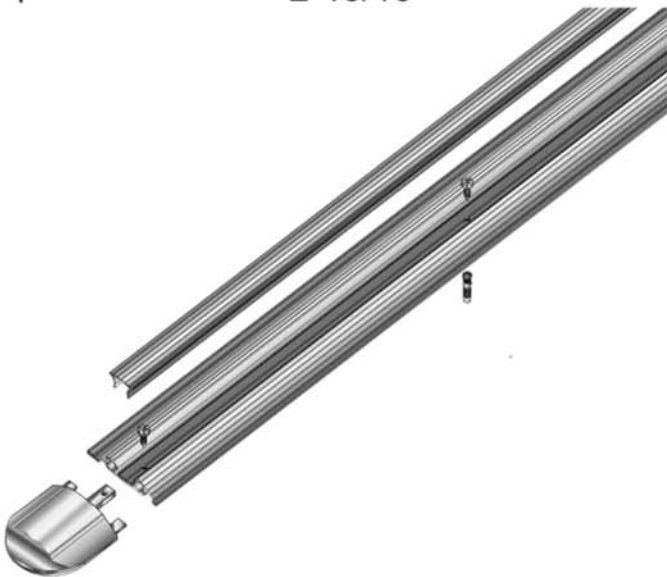
## Universal Deck-Mounted Track

- For existing decks
- Low profile
- Installed on surface of the deck
- Anodized aluminum



## SnapTop™ Track

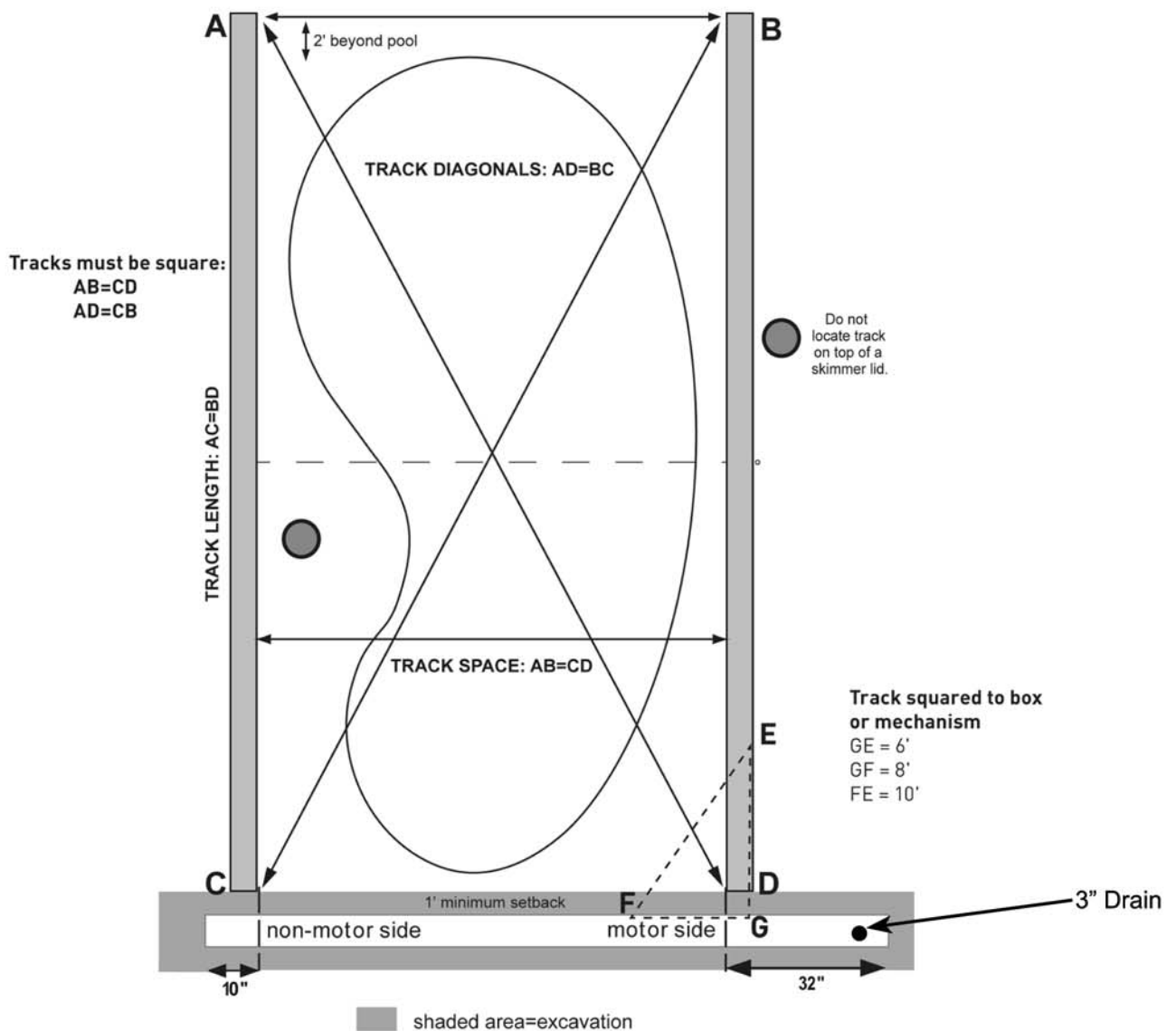
- For existing decks
- Low profile
- Installed on the deck surface
- Anodized aluminum
- Uses gliders or wheels
- Screws are concealed



# EXCAVATION AND PLUMBING

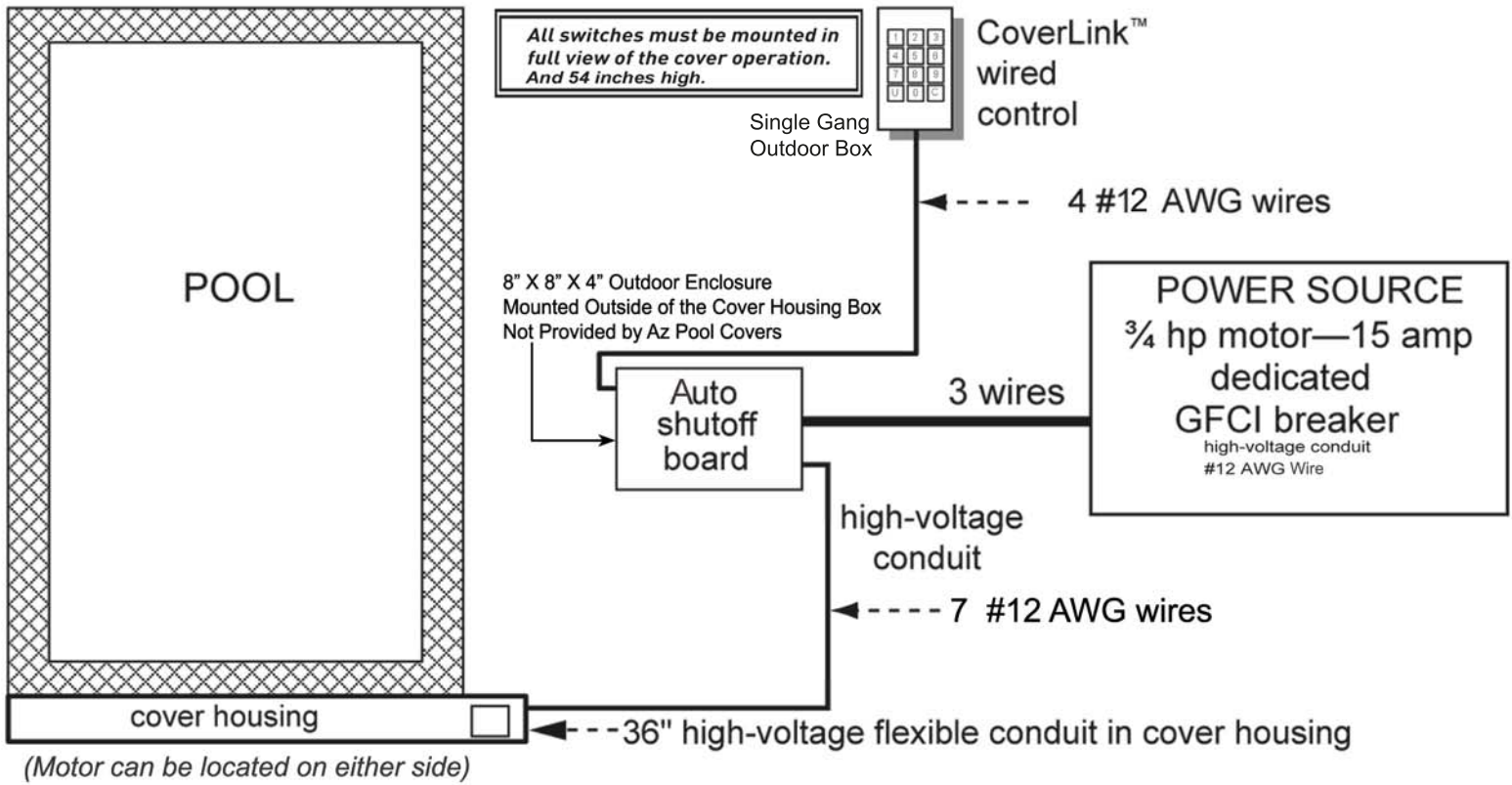
## Recessed Mechanism—Universal, SnapTop™

1. The tracks (and rectangular pools) must be a true rectangle. The tracks must be perpendicular to the unit mechanism and recessed housing (90°).
2. Do not install plumbing within 14" of the deck in the housing area.
3. The motor can be on either end of the cover box.
4. Do not locate skimmers in the lowered pool wall.
5. All corners must be square (no radius) on the finished tile line or the coping.
6. Place 3" drain in floor at one end of recessed housing, and have bottom slope to drain.

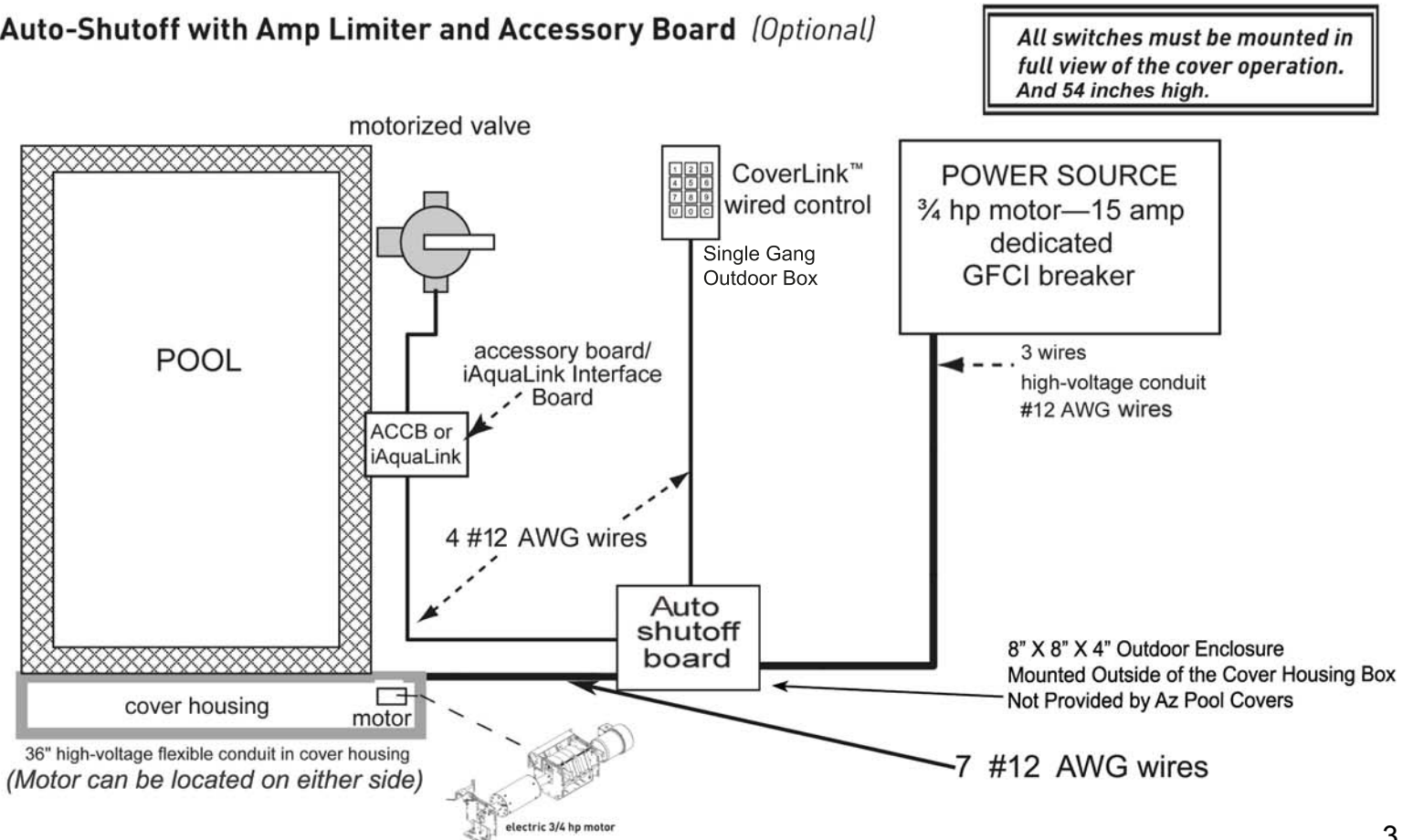


# ELECTRICAL

## Auto-Shutoff with Amp Limiter (Standard Equipment)



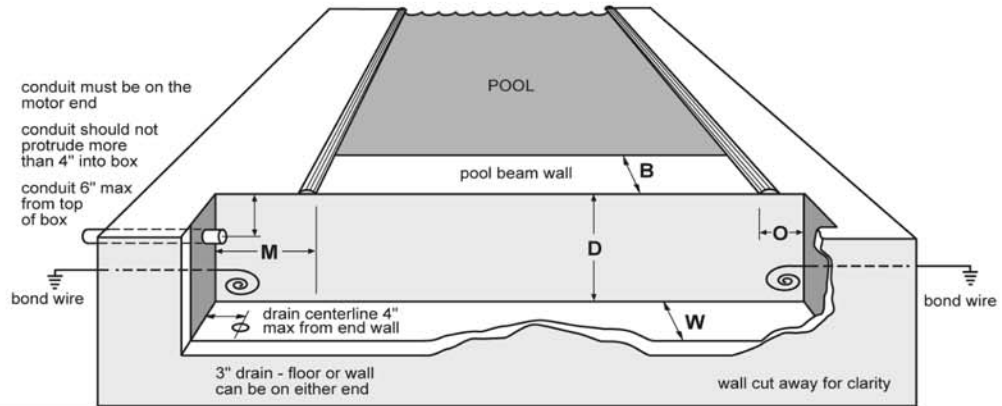
## Auto-Shutoff with Amp Limiter and Accessory Board (Optional)



# MECHANISM HOUSING

## Recessed Concrete—Universal Track or SnapTop™ Track

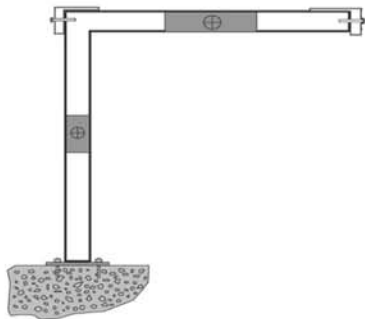
Wired Touch Pad and Auto-Shutoff need one 3/4" conduit.



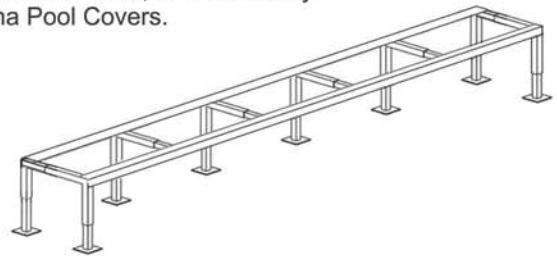
Universal Track or SnapTop™ Track Box Dimensions	MOTOR M	OPPOSITE O	BEAM B	DEPTH D	WIDTH W
Pools up to 65 ft long	32"	10"	Min of 12"	14½"	14½"
Pools over 65 ft. long or 25 ft. wide and vanishing-edge pools—Call Arizona Pool Covers 480-829-0083					

## Deck Mount Options

### Bench Frame



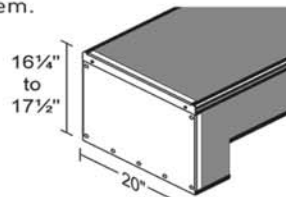
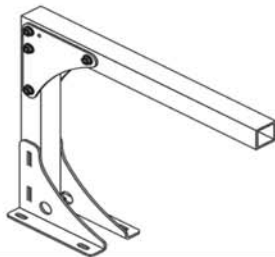
Three-piece adjustable steel brackets provide a maximum height of 20" by 24" wide. Surface material is not included, or installed by Arizona Pool Covers.



## Deck-Mounted Bench Construction

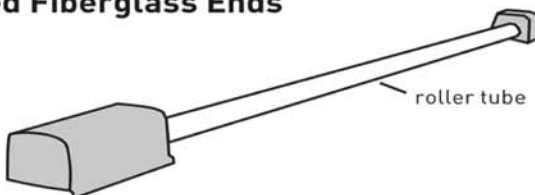
### Everlast™ Bench Kit

Modular bench kit uses adjustable-height brackets and polymer panels to create a low-maintenance bench system.



Available in 4 colors

## Deck-Mounted Fiberglass Ends



Fiberglass ends are an economical and practical solution to cover the deck-mounted mechanism. Available in tan.