



T4

General Information

for Installing a T4 Automatic Pool Cover

This is a general guide on factors to consider for the installation of a T4 automatic cover system.

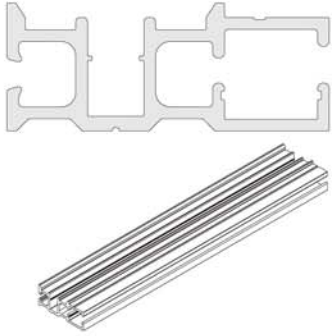
Detailed installation instructions are available.

FOR YOUR SAFETY—This product must be installed and serviced by a contractor who is licensed and qualified in pool equipment by the jurisdiction in which the product will be installed where such state or local requirements exists. In the event no such state or local requirement exists, the installer or maintainer must be a professional with sufficient experience in pool equipment installation and maintenance so that all of the instructions in this manual can be followed exactly. Before installing this product, read and follow all warning notices and instructions that accompany this product. Failure to follow warning notices and instructions may result in property damage, personal injury, or loss of life. Improper installation and/or operation will void the warranty.

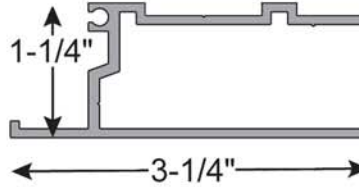
Arizona Pool Covers LLC
6100 West Gila Springs Pl. #3
Chandler, AZ 85226
480-829-0083
520-408-1579
ROC237910 ROC278066



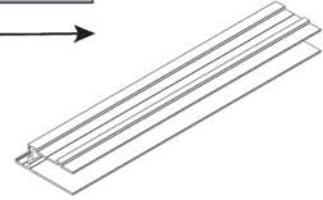
TRACK OPTIONS



- Dual Race Undertrack™**
- Mounted under deck coping
 - Anodized aluminum
 - Easier installation and replacement of cable.

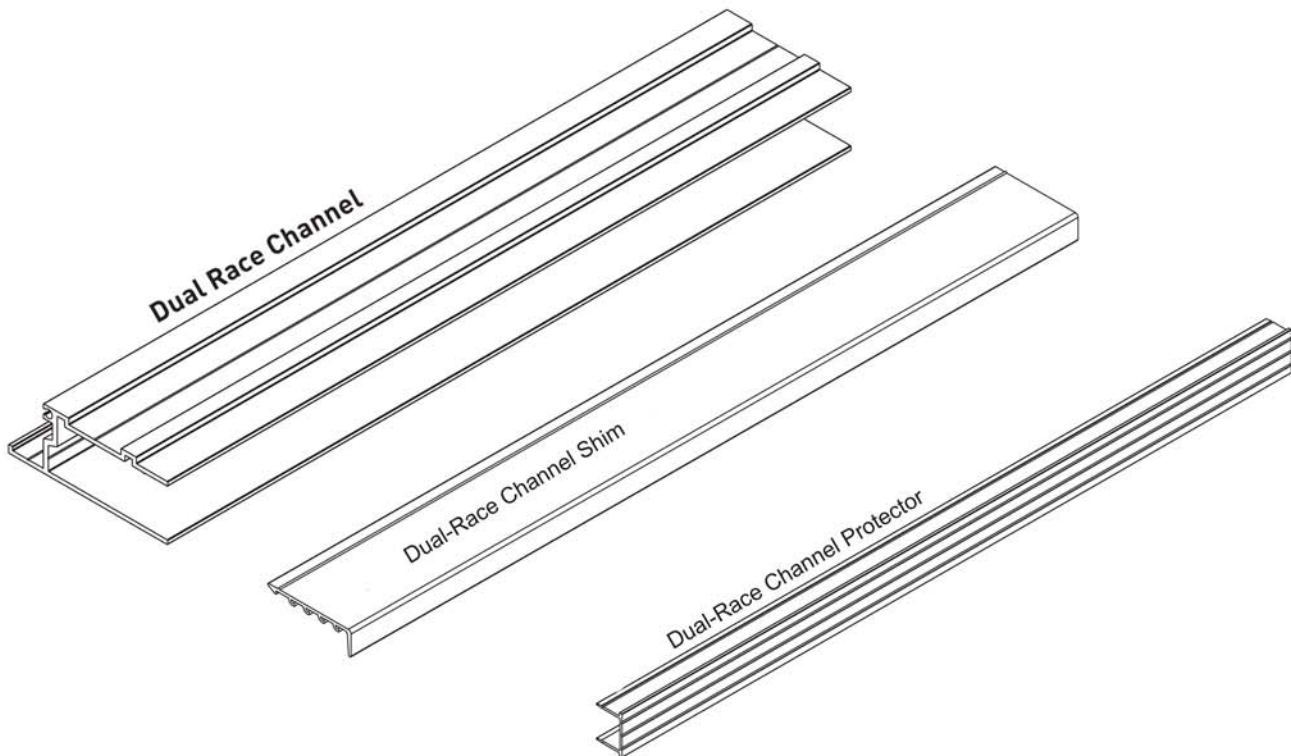
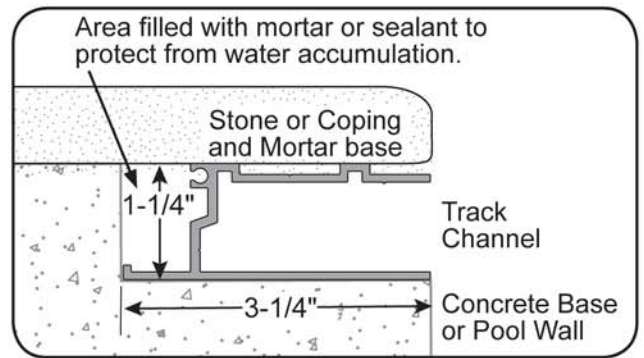
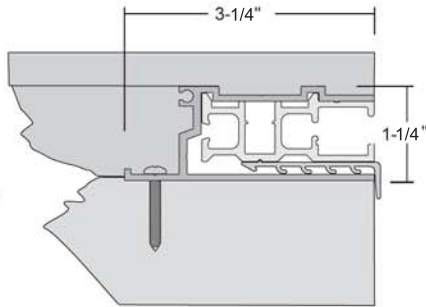


Dual Race Channel



Dual Race Channel

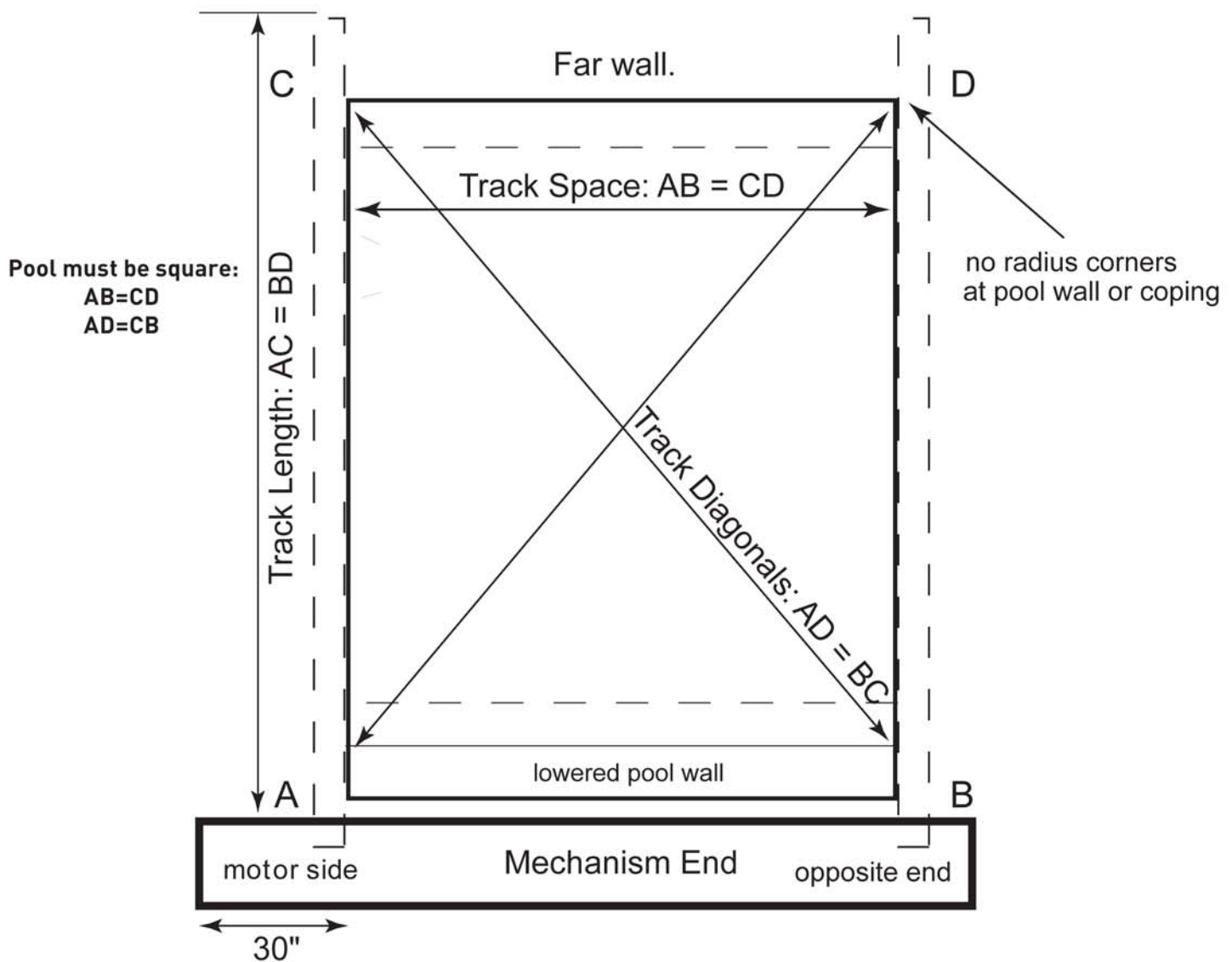
- For concrete and fiberglass pools
- Raised-wall applications
- Track channel allows for custom cantilever profiles
- Foam or wood forms can be incorporated for deck profiles



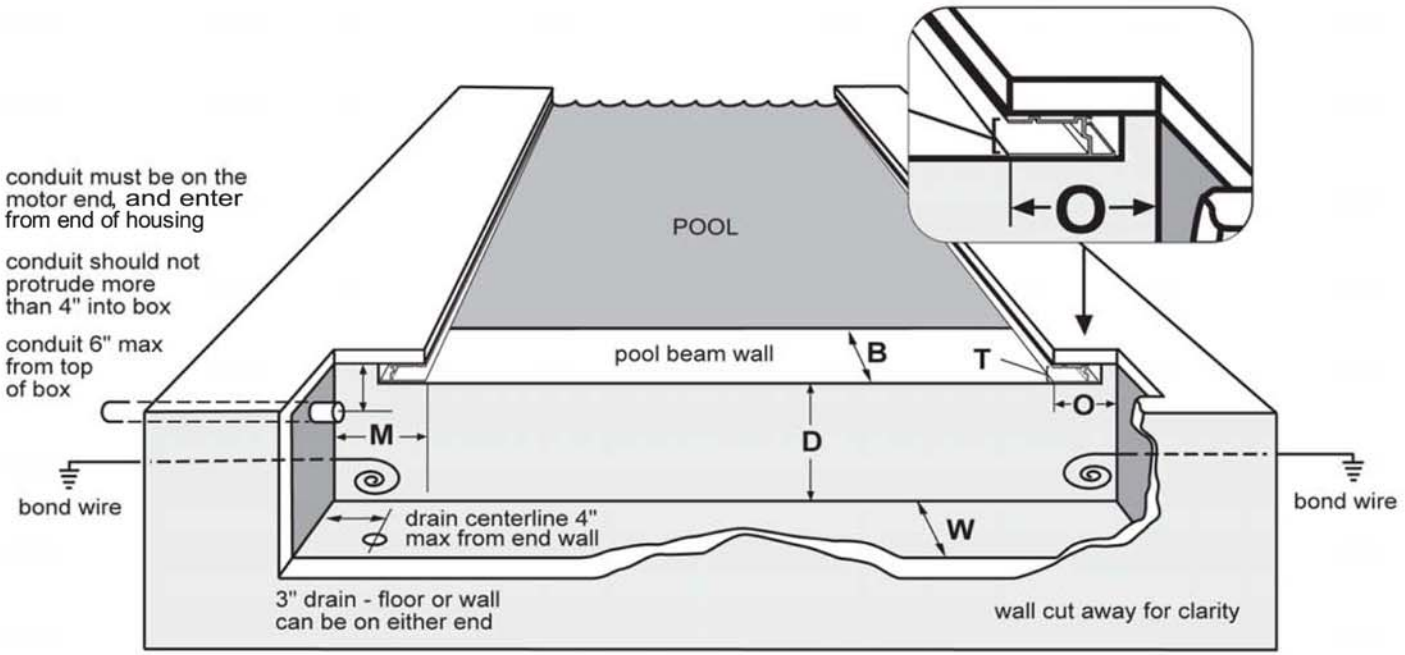
Consider any special requirements for excavation and plumbing.

Recessed Mechanism—Dual Race Track or Track Channel

1. The tracks (and rectangular pools) must be a true rectangle. The tracks must be perpendicular to the unit mechanism and recessed housing (90°).
2. Over-dig the recessed cover box end of the pool 18" beyond the forms. Do not install plumbing within 14" of the deck in the housing area.
3. The motor can be on either end of the cover box.
4. Do not locate skimmers in the lowered pool wall.
5. All corners must be square (no radius) on the finished tile line or the coping.
6. Place 3" drain in floor or wall of recessed housing, and slope bottom to the drain.

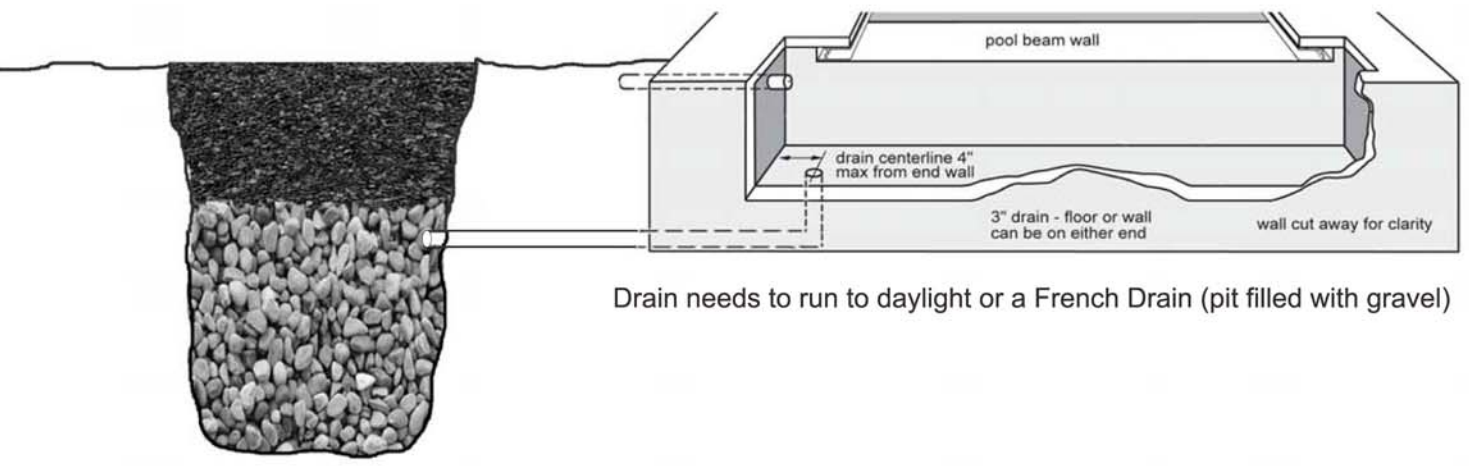


Recessed Concrete Box—Dual Race Track Channel



Consult a certified electrician and the pre-wiring diagrams for conduit and bonding requirements.

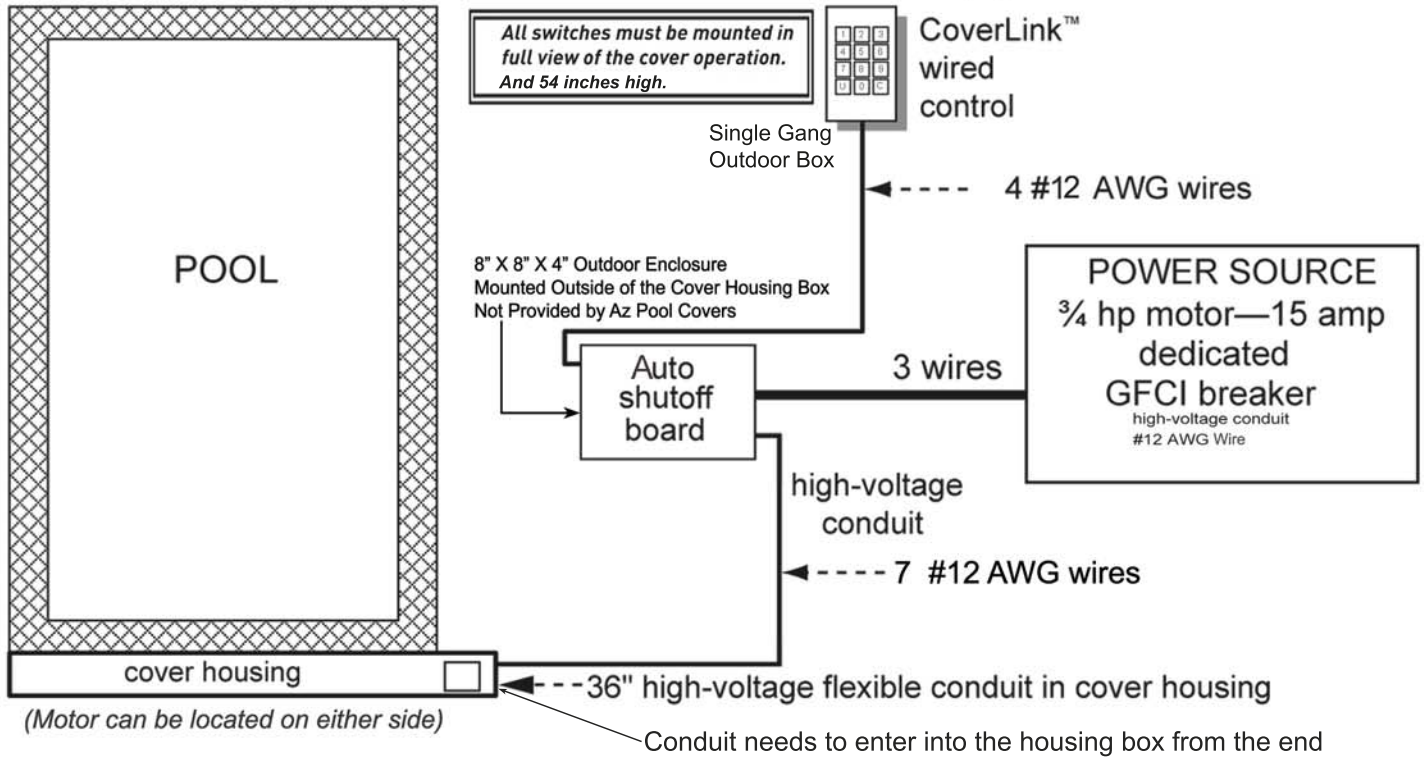
Dual Race Undertrack Box Dimensions for T4	MOTOR M	OPPOSITE O	BEAM B	THROAT T	DEPTH D	WIDTH W
Pools up to 65 ft. long x 24 ft. wide	28"	10"	8-12"	2" min to finished beam	14½" min	14½" min 16½" max
Pools over 65 ft. long or 25 ft. wide and vanishing-edge pools — Call AZ Pool Covers - 480-829-0083						



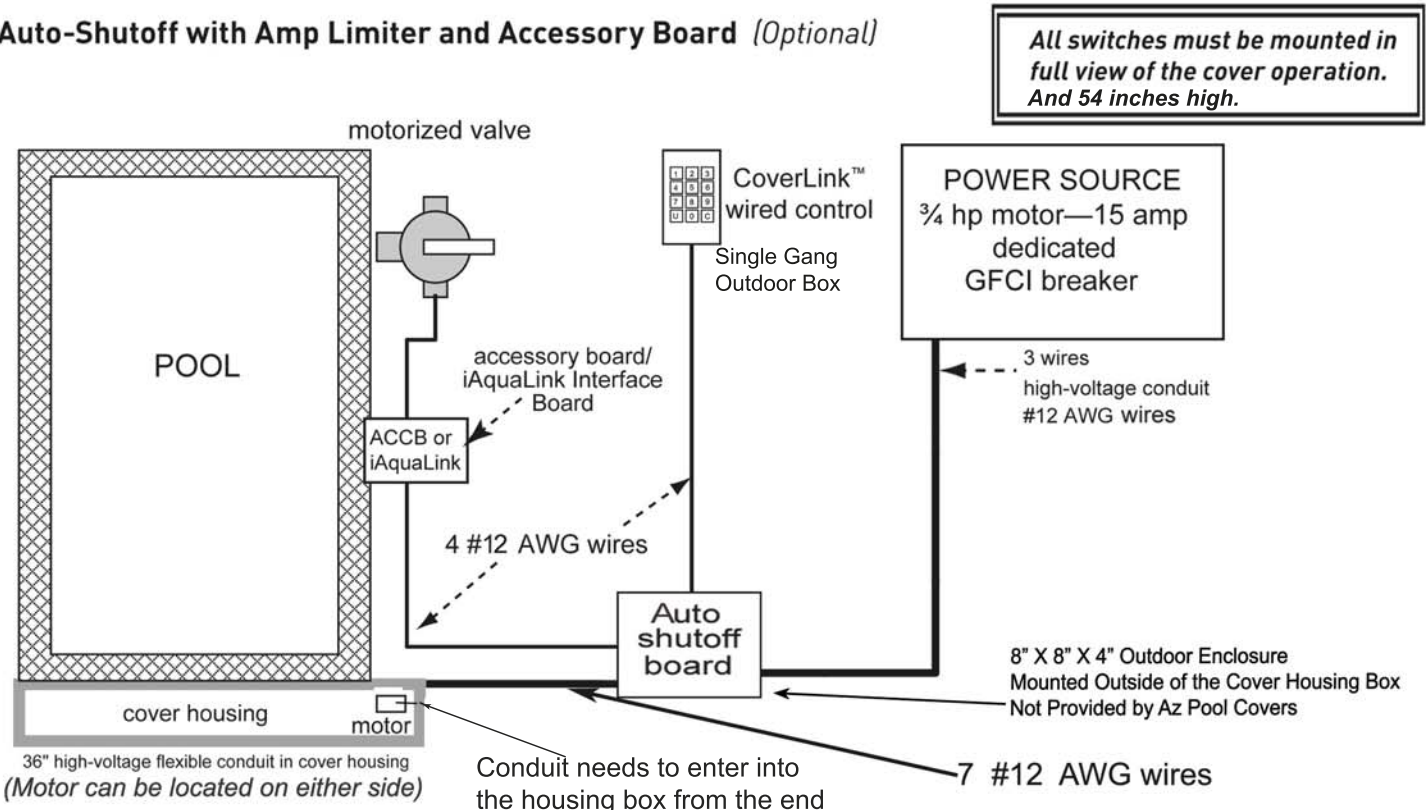
ELECTRICAL

WARNING! These are minimum recommendations only. All local and federal codes of standard safe practices must be followed. Refer to the prewiring instructions for detailed instructions and additional mounting options.

Auto-Shutoff with Amp Limiter (Standard Equipment)

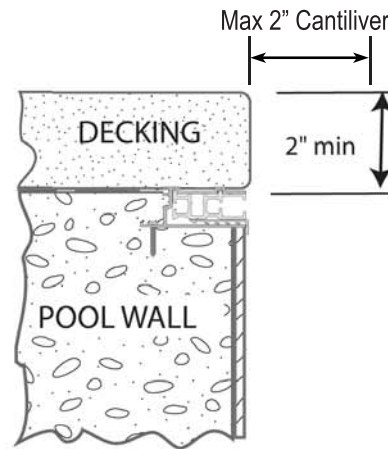
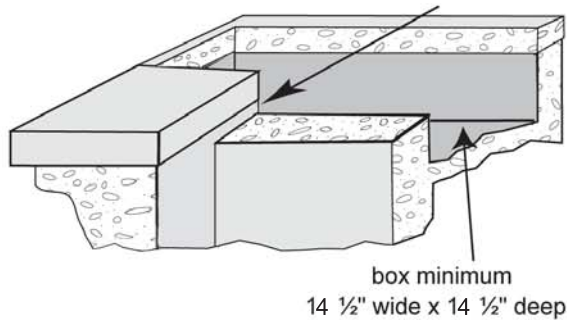


Auto-Shutoff with Amp Limiter and Accessory Board (Optional)



Coping or Deck Requirements

Opening for the track must be $2\frac{1}{2}$ " at box (2" finished with tile), sloping to 3" inside pool



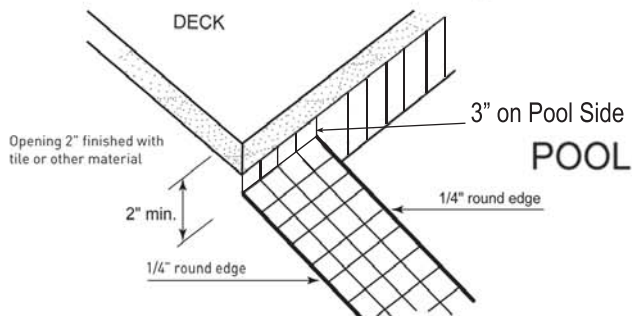
NOTE: The track must be mounted on the flat bottom of the coping. The coping measurement is **NOT** the track space. Coping must not extend more than $\frac{1}{2}$ " past the edge of the track.



Tile Beam—Dual Race Undertrack

The lowered pool wall is finished with a tile surface.

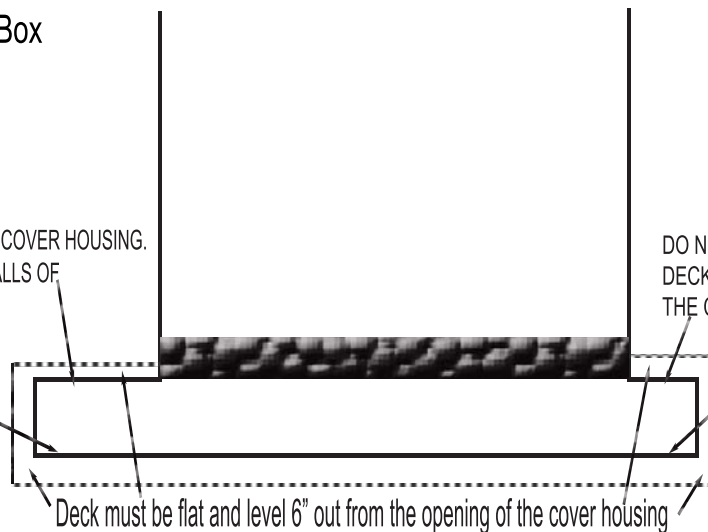
For the lowered wall edge, use a rounded tile on the front and back edges to minimize scraping on the cover.



Deck Around Cover Housing Box

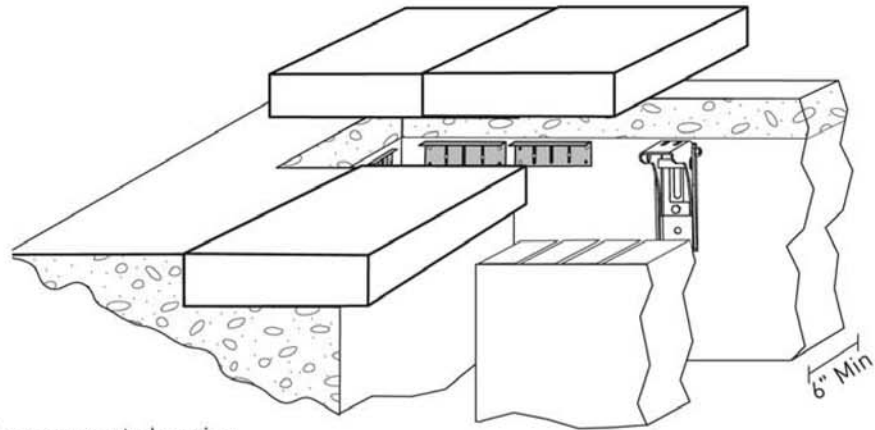
DO NOT CANTILEVER DECK OVER THE COVER HOUSING. DECK MUST BE FLAT AND EVEN WITH WALLS OF THE COVER HOUSING

DO NOT CANTILEVER DECK OVER THE COVER HOUSING. DECK MUST BE FLAT AND EVEN WITH WALLS OF THE COVER HOUSING



VANISHING LID™ SYSTEM

Vanishing Lid™ System



NOTE:

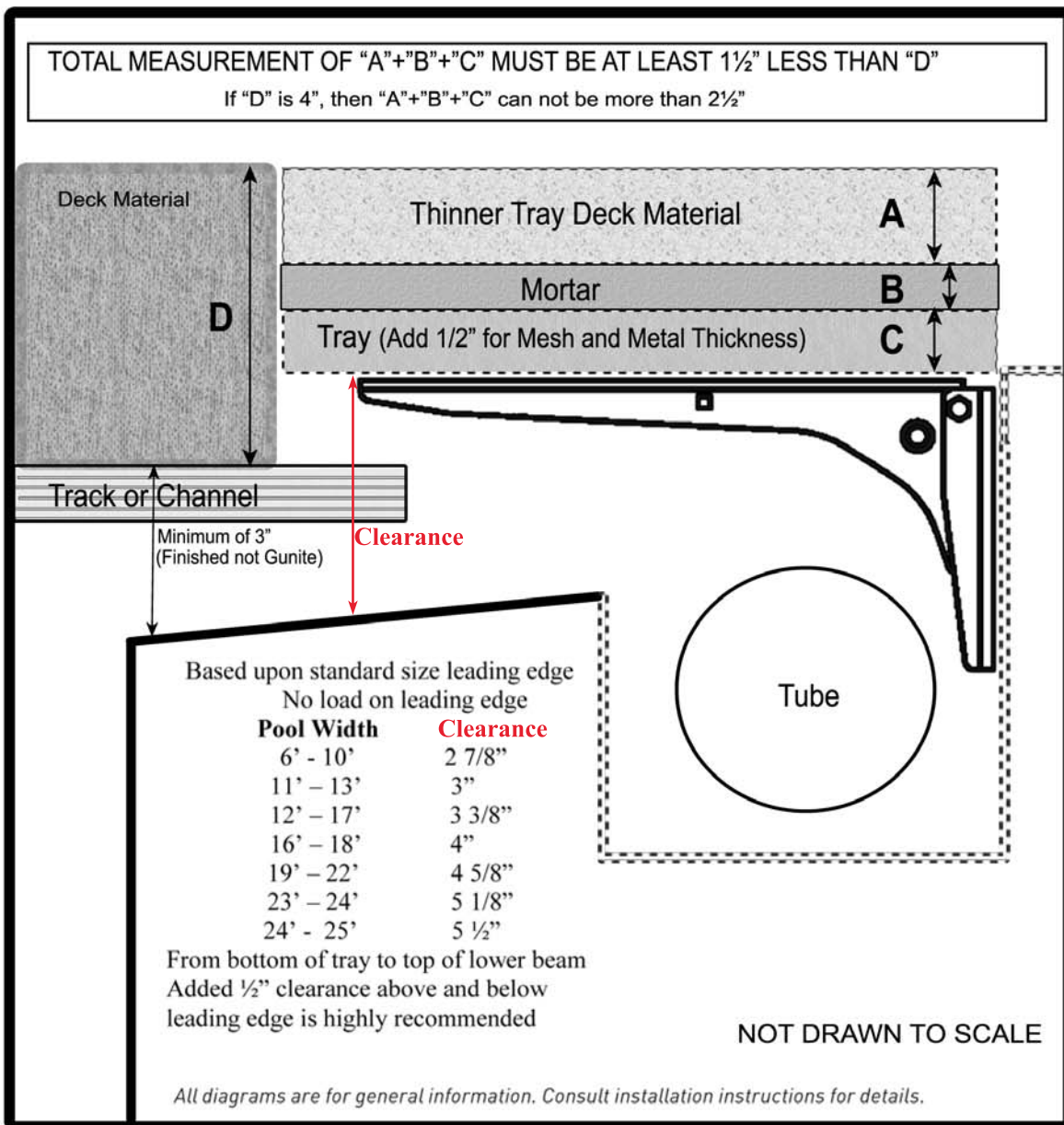
Walk-on Vanishing Lid systems require a concrete housing, or, if using a wood housing, a concrete wall must be poured behind the box for anchoring brackets.

Walk-On Vanishing Lid

This design offers an adjustable tray support system for any type of deck material. Stainless-steel or aluminum trays and stainless-steel brackets provide the support base for a strong walk-on lid that can blend with the surrounding deck.

Note: The deck thickness must be increased for extended trays if the leading edge is going to fit under the tray. Contact Arizona Pool Covers for more information 480-829-0083

The maximum width of any tray is 24".
The maximum length of tray is 24".

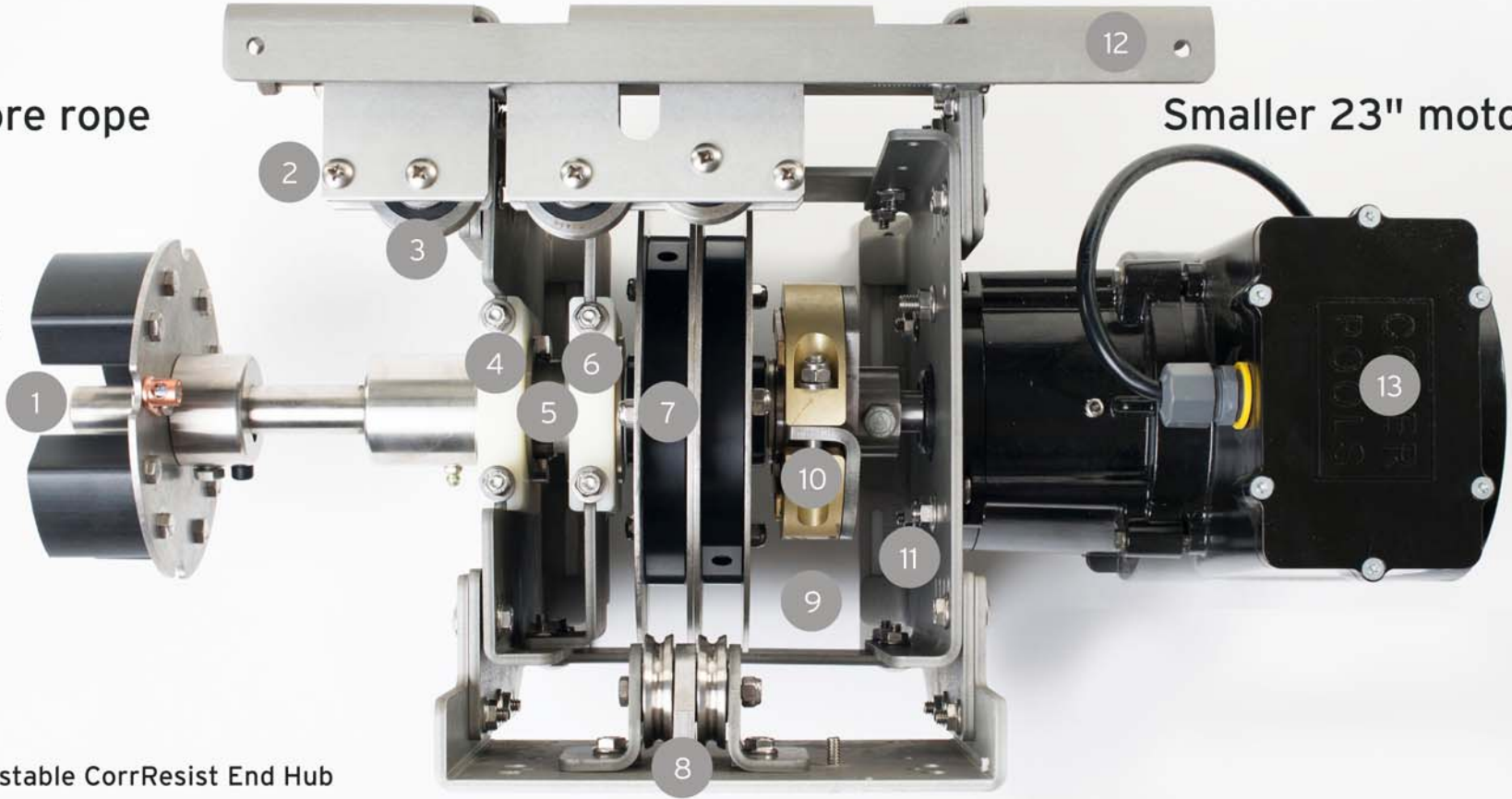


T4 Automatic Pool Cover System

No more rope

Smaller 23" motor side

The T4 is the first and only automatic pool cover system designed for stainless steel cable.



- 1 Adjustable CorrResist End Hub
- 2 Stainless Steel Hardware
- 3 Large 1-1/2" Pulleys
- 4 Drum Brake
- 5 Positive/Sure-Shift Drive
- 6 Reel Brake
- 7 Auto-Tension CorrResist Cable Reels with Adjustable Diameter

- 8 Vertical Pulleys (poolside)
- 9 Quick-Cable Attachment
- 10 Industrial Grade Slip Clutch
- 11 Thick Hard-Coated Anodizing on Marine-Grade Aluminum Brackets
- 12 Quick Install Cradle
- 13 New Condensed Motor with Potted Capacitor



CoverLink™ digital control

The code-accessed digital control system allows you to program up to four codes to create convenient and secure access to the system. With the wireless version, you have endless options for mounting the touch pad within view of the pool.

